



SERVER
RACKS



NETWORK
RACKS

SERVER AND NETWORK RACKS

IT STORAGE SOLUTIONS

DATA SHEET

Server & Network Racks

PRODUCT OVERVIEW

ArcTiv Server and Network Racks provide high-quality, high-density solutions for storing and securing servers and IT equipment in data centers. The product lines are simple to construct and configure with ArcTiv aisle containment systems for a complete infrastructure management system.

Learn more are www.arctiv-tech.com/racks



RACK FUNCTION		SERVER RACKS	NETWORK RACKS
	Beautiful Appearance Curved rack doors, high quality steel, customized color options (Black, White).	✓	✓
	Easy Installation Fully configured racks or flat-pack with simple field installation.	✓	✓
	High-Capacity Up to 52U racks, high load rating (1500kg) and +78% airflow doors.	✓	✓
	Security Locking rack front & rear doors with multi-bay compartment options.	✓	✓
	Durability High-quality, 100% SPCC steel frame and mounting rails.	✓	✓
	Modular Design Configurable with aisle containment and simple to expand in bayed rows.	✓	✓
	High-Density Supports in-rack vertical cable management and high density iPDU's.		✓

Server & Network Racks

PRODUCT FEATURES

Server Racks



Front View



Rear View

Product Highlights



Curved Door with
130° Radius



1500kg
HD Castors &
Leveling Feet



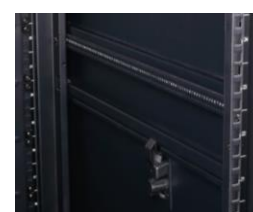
Multi-Bay
Compartments



Split Locking Side
Panels



+78%
High Airflow,
Vented Doors



Adjustable
Mounting Rails

Network Racks



Front View



Open View

Product Highlights



Vertical Cable
Management



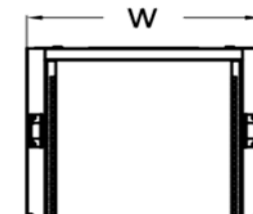
Top Cable Entry
Access Holes



Tool-less iPDU
Mounting



Network & Power
Cable Separation



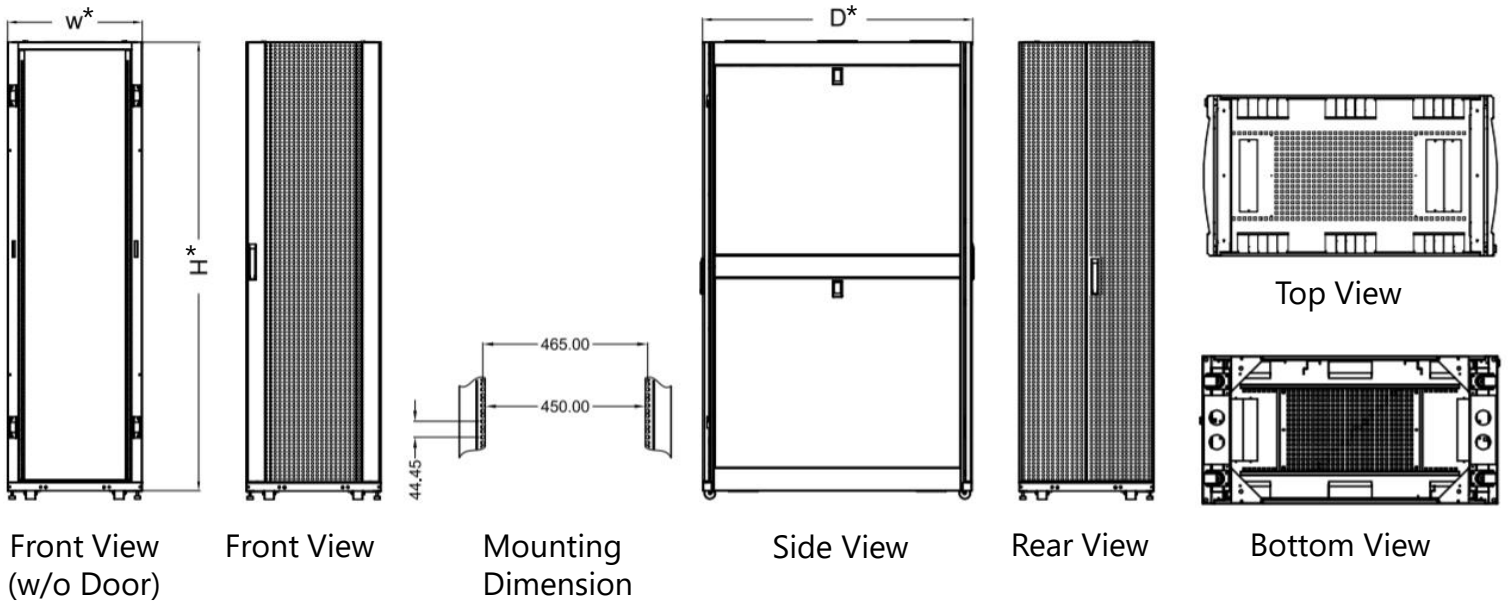
750 & 800mmW
Options



Server and Network Racks

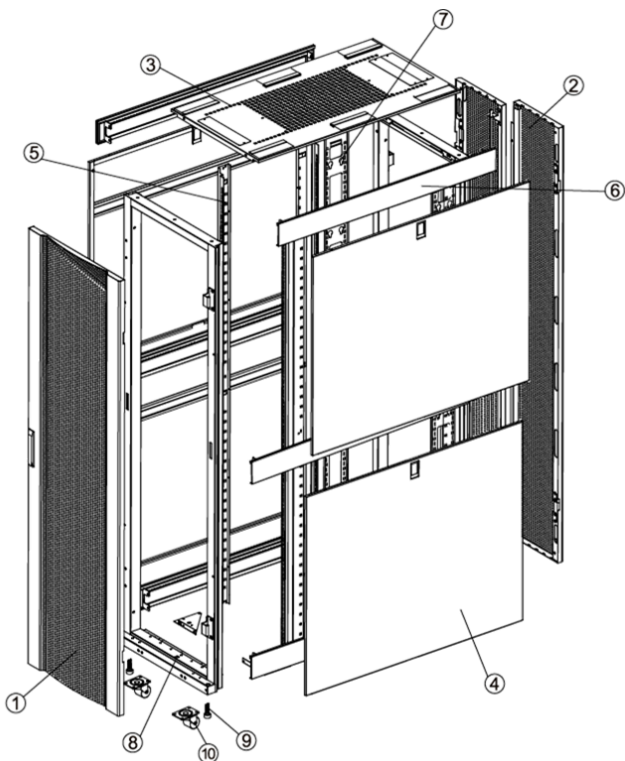
SPECIFICATIONS

Rack Dimensions and Layout



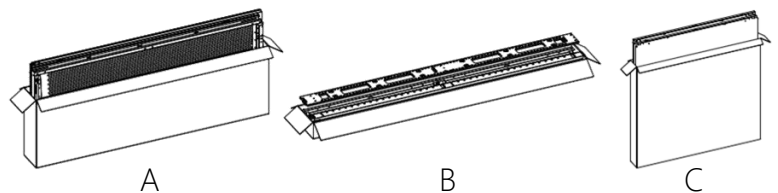
* See specifications page for details

Rack Assembly & Packaging:



Item	Component	Quantity
1	Front vented door with lock	1
2	Rear door	2
3	Top cover	1
4	Side panel	4
5	Vertical rail	4
6	Horizontal beam	6
7	Cable management rail	2
8	Door frame	2
9	Leveling feet	4
10	2" heavy duty castor	4

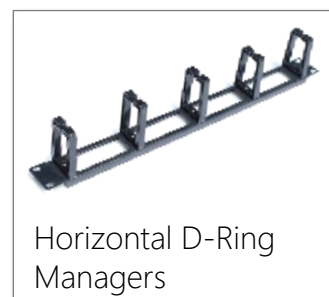
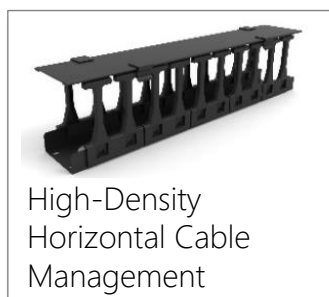
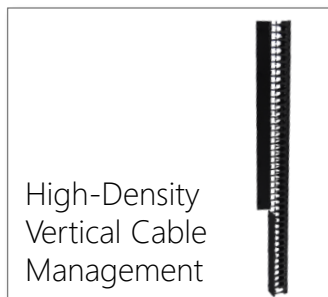
Flat Pack Cartons



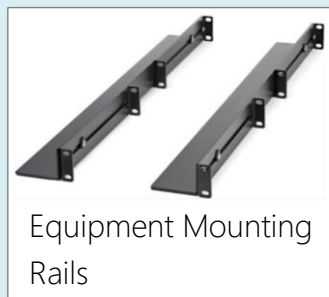
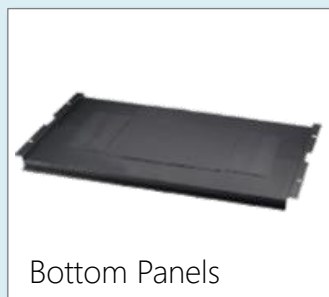
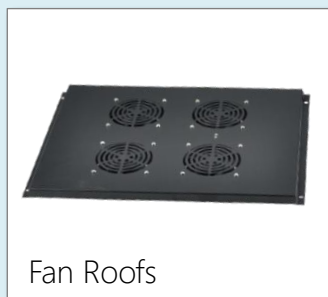
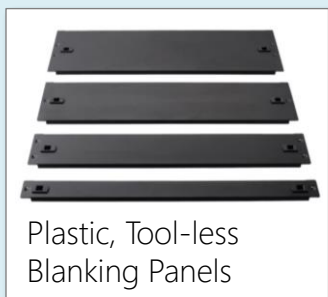
Rack Accessories

CABLE, AIRFLOW AND SHELVING SOLUTIONS

High Density Cable Management



Airflow Management & Other



Server and Network Racks

SPECIFICATIONS

FUNCTION		SERVER RACKS	NETWORK RACKS
Construction	Load Rating	1500kg (Static)	
	Rack Frame	4-column frame, SPCC, 19" EIA Mounting Rails	
	Front Door	Curved Style, Vented with 78% Perforation, Tool-less Removal, 130° Opening Width, Swivel Handle	
	Rear Doors	Flat, split-style, Vented with 78% Perforation, Tool-less Removal, 130° Opening Width, Swivel Handle	
	Mounting Rails	2 Pairs (Front/Rear) with Marked "U" Positions, EIA-310D and IEC 60297 Compliant Up to 950mm Equipment Mounting Depth	
	Side Panels	Split Panels for Easy Access and Maintenance, Tool-less removal with Key Lock and Earthing Kit	
	Top Panel	Removable Quick Release (Tool-less) 6 x rectangular slots provides access for overhead cable egress Ventilation to support roof-mount fans (up to 6)	
	Rear Mounting Channels	2 x Low-Profile Rear Mounting Channels Tool-less Mounting of 0U iPDU's and D-Ring Cable Brackets	
	Grounding	Central Grounding Point	
	Castors	4 x Heavy Duty Castors for Mobility on Flat Surfaces	
	Leveling Feet	4 x Adjustable Leveling Feet for Field Balancing	
	Baying Kit	Includes Pre-Punched Holes in Front and Rear Frame	
	Cable Management		Vertical Cable Management Rails
	Colors ¹	Powder Coated Black RAL9005 or Grey RAL7035	
Dimensions	Heights ¹ [H]	42U (1992mm), 45U (2126mm), 48 (2259mm)	
	Widths ¹ [W]	600mm	800mm
	Depths ¹ [D]	800mm, 1070mm, 1200mm	
Packaging	Flat Pack	Build-Up with Standard Power Tools in Less than 30 Minutes	
	Assembled	Requires No Assembly, Sea Worthy Packaging	
Conformance	Compliance	CE, RoHS, IP20, IEC 60950	
	Warranty	2 Year	

Notes: ¹Customized options available (Not shown)
Specifications shown are subject to change without any further notification.

Server & Network Racks

ORDERING INFORMATION

Server and Network Racks

Each Rack Includes:

- Semi-Welded Frame with 1500kg Load Rating
- Vented Front Door, 78%, with 130° Radius
- Split, Rear Vented Doors, 78%
- 2 x Locking Swing Handles (front & rear)
- Vented Top Panel with Cable Entry Access
- 4 x Locking and Removable Split Side Panels
- 4 x EIA Adjustable Mounting Rails
- 2 x Rear Mounting Cable / PDU Channels
- 4 x Heavy Duty Castors and Leveling Feet
- Baying & Grounding Kit
- Pack of 50 M6 Screws and Cage Nuts
- Black Powder Coat Paint (RAL9005)
- Pallet (Assembled)
- CE certified, IP20 Compliant
- 2-Year Warranty

Part Numbers (Standard Models):

AT [R]	[W]	[D]	[H]
Rack Type	Width	Depth	Height
[SVR] = Server Rack	6 = 600	08 = 800 10 = 1070	42 = 42U 45 = 45U
[NWR] = Network Rack	8 = 800	12 = 1200	48 = 48U

Examples:

ATSVR61042 = Server Rack, 42U x 600mmW x 1070mmD

ATNWR81242 = Network Rack, 42U x 800mmW x 1200mmD

Customized Options

- Rack Sizes
- Door & Handle Types
- Colors (White, RAL7035)
- Packaging (Flat-Pack)
- Multi-Bay Compartments
- Cable Entry Access

Popular Rack Accessories

	Part No	Description	SERVER RACK	NETWORK RACK
CABLE MGMT	ATHDHCM2U	High-Density Horizontal Cable Manager, 2U	●	●
	ATHCM1U	Plastic Horizontal Cable Manager, 1U	●	●
	ATPDRING1U	Horizontal D-Ring Manager, 1U	●	●
	ATHDVCM42	High Density Vertical Cable Manager, 42U		●
	ATVCM1U	Plastic Vertical Cable Manager, 42U, 1U	●	●
	ATPCT6	Power Shielding Cable Trough, 600mmW	●	
	ATPCT8	Power Shielding Cable Trough, 800mmW		●
	ATDCT6	Data Shielding Cable Trough, 600mmW	●	
	ATDCT8	Data Shielding Cable Trough, 800mmW		●
	ATVELCRO	Velcro Straps	●	●
AIRFLOW & OTHER	ATFROOF61	Fan Roof (6, 600mmW, 1000mmD)	●	
	ATRFROOF81	Fan Roof (6, 800mmW, 1000mmD)		●
	ATBPANEL61	Bottom Panel (600mmW, 1000mmD)	●	
	ATBPANEL81	Bottom Panel (800mmW, 1000mmD)		●
	ATP2UPANEL	Plastic Tool-less Blanking Panel (2U)	●	●
	ATFSHELF-5	Fixed Shelf, 550mmD	●	●
	ATSSHELF-5	Sliding Shelf, 550mmD	●	●





www.arctiv-tech.com/



sales@arctiv-tech.com



facebook.com/arctivtechnologies



linkedin.com/company/arctiv-technologies



Power



Protect



Cool



Connect

ArcTiv Technologies is a global technology vendor whose mission is to **Power, Protect, Cool and Connect** your data center and edge-computing network infrastructure.

USA Address:

ArcTiv Technologies, LLC
30 N Gould St Ste 22117,
Sheridan, WY 82801
USA
e: sales@arctiv-tech.com

Taiwan Address:

ArcTiv Technologies, Ltd.
15f., No. 159, Sec 1, Keelung Rd.,
Xinyi Dist. Taipei City, 110
Taiwan (R.O.C.)
e: zill.tsai@arctiv-tech.com

Bangladesh Address:

ArcTiv Technologies, Ltd.
Plot-155/1, 156, Road No. 1, Block-A,
Section-12, Pallabi, Dhaka, PO: 1216
Bangladesh
e: iftekhar.priyom@arctiv-tech.com

© 2021 ArcTiv Technologies, LLC. All rights reserved. ArcTiv and the ArcTiv logo are trademarks or registered trademarks of ArcTiv Technologies, LLC. While every precaution has been taken to ensure accuracy and completeness herein, ArcTiv Technologies LLC assumes no responsibility, and disclaims all liability, for damages resulting from use of this information or for any errors or omissions. Specifications are subject to change without notice.