



USER MANUAL

Server & Network Racks



SERVER RACKS



NETWORK RACKS

TABLE OF CONTENTS

PRODUCT OVERVIEW	3
SAFETY INSTRUCTIONS	4
COMPONENT IDENTIFICATION	5
PACKAGING	6
ASSEMBLY	7
CONFIGURATION	11
WARRANTY	12

PRODUCT OVERVIEW

ArcTiv Server and Network Racks offer greater capacity, load rating and cable & airflow accessories to manage your critical IT systems. The Server Racks are compatible with ArcTiv Aisle Containment and PDU's for fast installation and reliable operation. The key features of the product line include:



Server Racks



Curved Door with
130° Radius



Heavy Duty Castors &
Leveling Feet



Multi-Bay
Compartments



Split Locking
Side Panels



High Airflow, Vented
Locking Doors



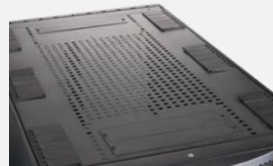
Adjustable
Mounting Rails



Network Racks



Vertical Cable
Management



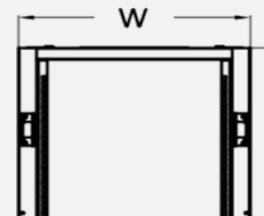
Top Cable Entry
Access Holes



Tool-less iPDU
Mounting



Network & Power
Cable Separation

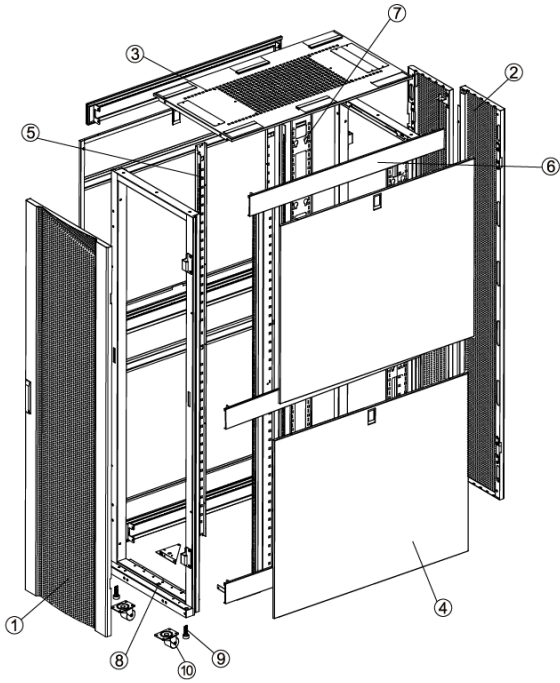


750 & 800mmW
Options

SAFETY INSTRUCTIONS

- Keep the Server Racks in a controlled indoor environment, away from moisture, temperature extremes, flammable liquids and gasses, conductive contaminants, dust and direct sunlight.
- Leave adequate space at the front and rear of the racks for proper ventilation. Do not block, cover or insert objects into the external ventilation openings of the enclosure.
- The Server and Network Racks are heavy, use caution when handling. Do not attempt to unpack, move or install it unassisted. Use a mechanical device such as a forklift or pallet jack to move the system in the shipping container.
- Do not place any object on the enclosures, especially containers of liquid, and do not attempt to stack the enclosures.
- Inspect the shipping container and the enclosure for shipping damage. Do not use the system if it is damaged.
- Leave the Server and Network Racks in the shipping container until it has been moved as close to the final installation location as possible.
- Install the enclosures and containment system in a structurally sound area capable of handling the load, or on a level floor that is able to bear the weight of the enclosure, all equipment that will be installed in the enclosure and any other enclosures and/or equipment that will be installed nearby.
- Use caution when cutting packing materials. The enclosure could be scratched, causing damage not covered by the warranty.
- Save all packing materials for later use. Repacking and shipping the enclosures and containment system without the original packing materials may cause product damage that will void the warranty.
- Do not reship the enclosures and containment with additional equipment. The combined weight of the enclosure and installed equipment must not exceed the load capacity of the pallet. ArcTiv Technologies is not responsible for any damage that occurs during reshipment.
- The enclosure casters are designed for minor position adjustments within the final installation area only. The casters are not designed for moving the enclosure over longer distances.
- When rolling the enclosure on its casters, always push it from behind; never pull it toward you.
- A rolling enclosure can cause personal injury and property damage if not properly supervised. If rolling the enclosure down a ramp is required, use extreme caution. Do not attempt to use ramps that have a slope steeper than 1:12.
- Use of this equipment in life support applications where failure of this equipment can reasonably be expected to cause the failure of the life support equipment or to significantly affect its safety or effectiveness is not recommended. Do not use this equipment in the presence of a flammable anesthetic mixture with air, oxygen or nitrous oxide.

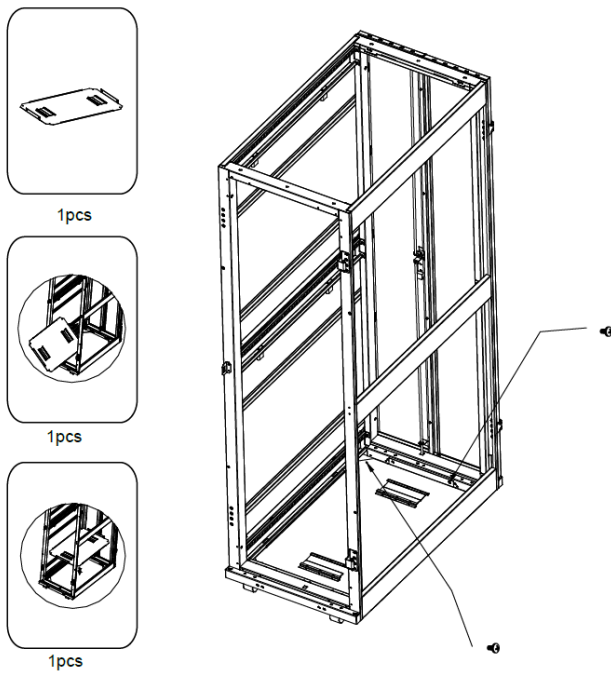
COMPONENT IDENTIFICATION



Item	Component	Quantity
1	Front vented door with lock	1
2	Rear door	2
3	Top cover	1
4	Side panel	4
5	Vertical rail	4
6	Horizontal beam	6
7	Cable management rail	2
8	Door frame	2
9	Leveling feet	4
10	2" heavy duty castor	4

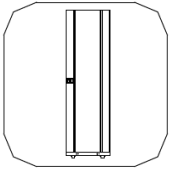
Important: Bottom Plate Installation Instruction (Optional)

It is better to install the optional bottom plate during steps 4 and step 5. Secure the bottom plate to the corner bracket with M4*8mm self-tapping screws (4pcs), the bottom plate is tightened to the enclosure with M8*25mm hexagon headed bolt.

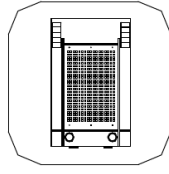


Note: Refer to the mounting instructions before installing the bottom plate.

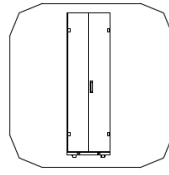
PACKAGING



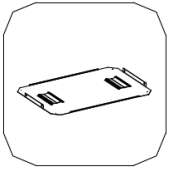
①



②



③

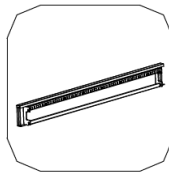


④

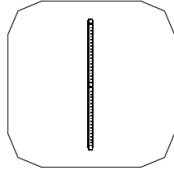
The flat-pack concept allows shipped enclosures to reduce space, which can save container and transportation costs.

CARTON A -19" FRONT & REAR DOOR KITS

Carton A	Parts List	Quantity
(1)	Front door assy	1
(2)	Top cover	1
(3)	Rear doory assy	1
(4)	Bottom plate	1



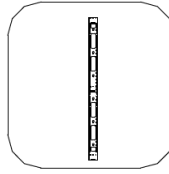
⑤



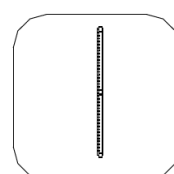
⑥

CARTON B-19" RAILS & BEAM KITS

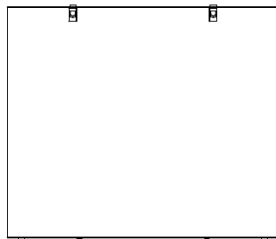
Carton B	Parts List	Quantity
(5)	Horizontal beam	1
(6)	Vertical rail, left	1
(7)	Cable mgmt. rail	1
(8)	Vertical rail, right	1



⑦



⑧



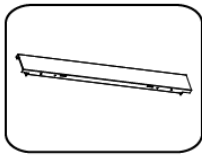
⑨

CARTON C-19" SIDE PANELS KITS

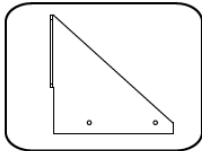
Carton C	Parts List	Quantity
(9)	Side panel assy	1

ASSEMBLY

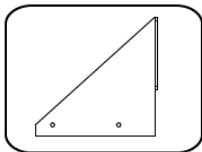
Step 1: Connect corner brackets to the lower beams with 2 screws.



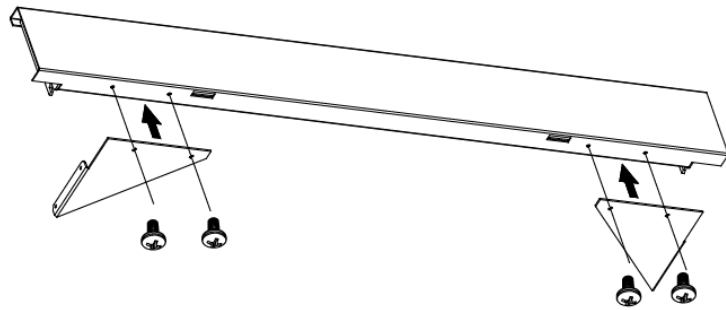
1pcs



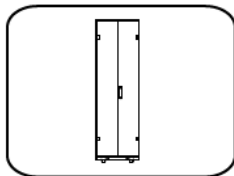
1pcs



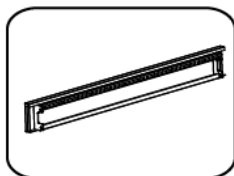
1pcs



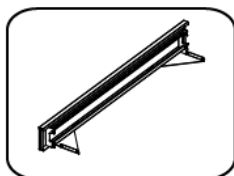
Step 2: Connect each of 6 beams to the rear door with 2 screws.



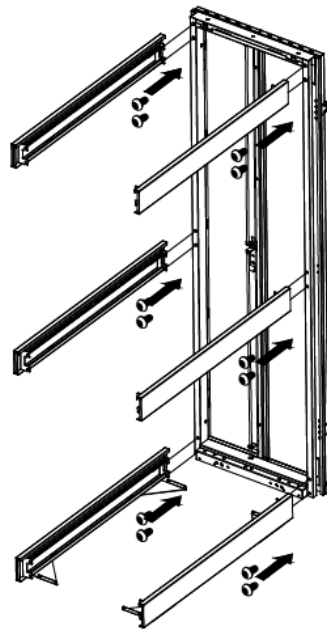
1pcs



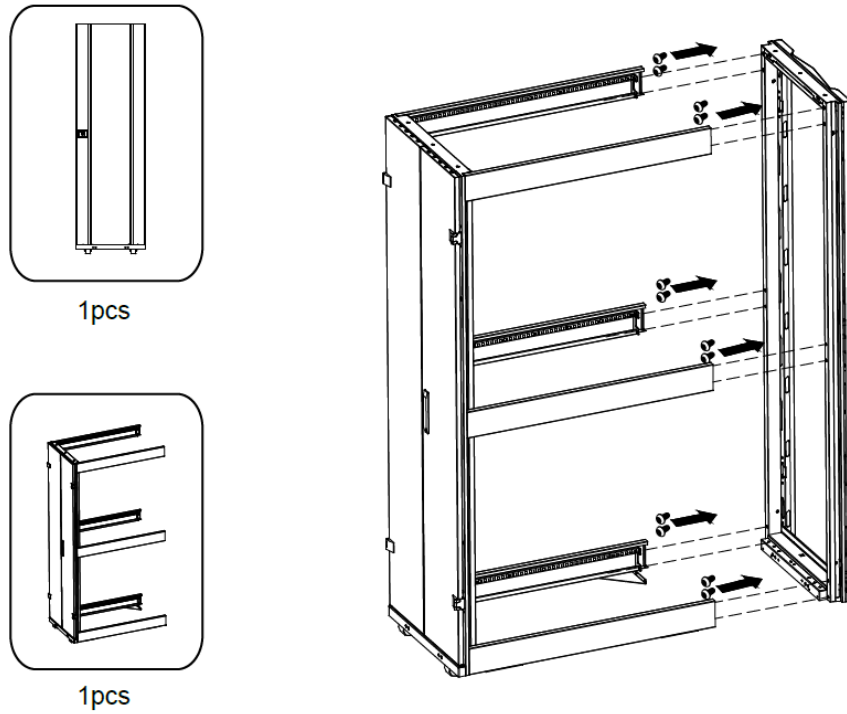
4pcs



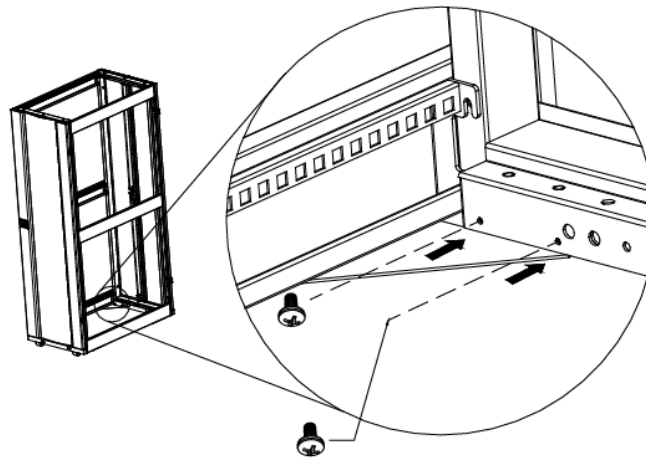
2pcs



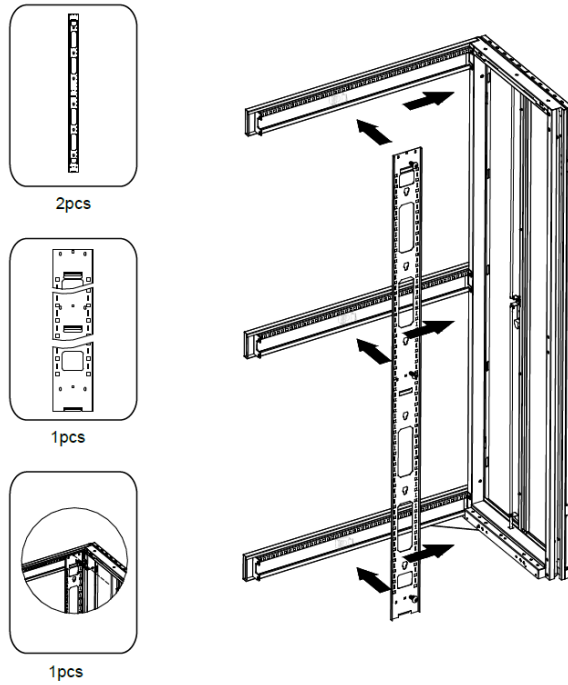
Step 3: Fasten each of 6 beams in Step 2 to the front door with 2 screws



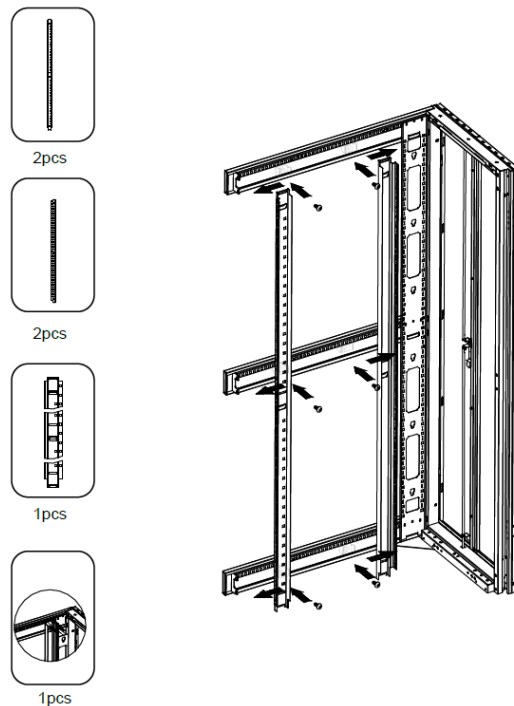
Step 4: Fasten corner brackets in Step1 to the front with 2 screws



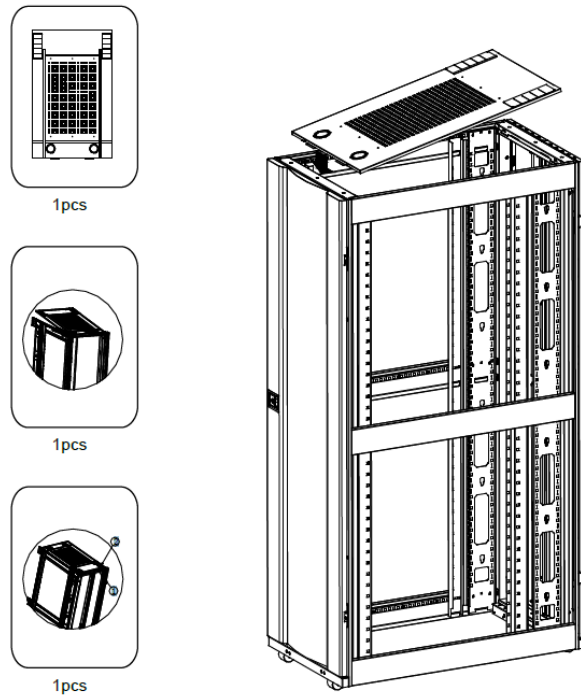
Step 5: Install the cage nuts to the required square openings in the mounting beams, one for each beam where you plan to install the cable management rails. Use M6 washers and mounting screws to secure the cable management rails, one for each side. Place M6 washers between the screws and the equipment mounting rails.



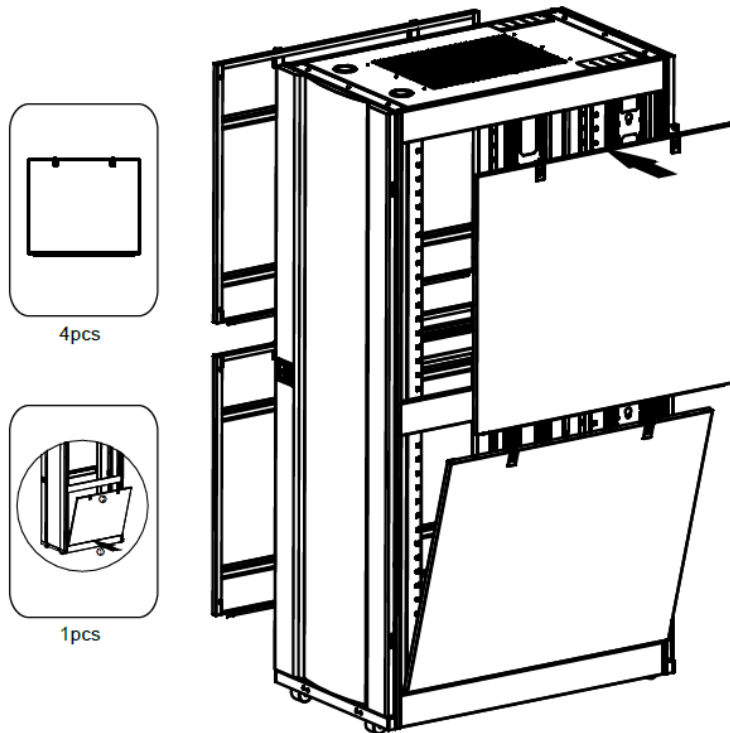
Step 6. Install the cage nuts to the desired square openings as step 5. Fasten the rails to the mounting beams with 3 screws and M6 washers, two rails for each side.



Step 7. While holding the top cover, arrange the 2 pins near the rear of the top cover into the holes in the enclosure frame. Pull the roof panel downward until it's close to the enclosure frame.



Step 8. Open side panel latch by sliding it downward, then install side panels into the frame.



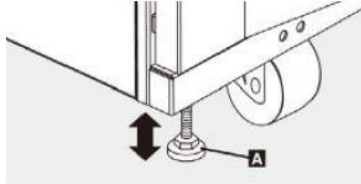
CONFIGURATION

Step 1. Placement

Use the casters to move the enclosure over a level, smooth and stable surface by pushing the unit.

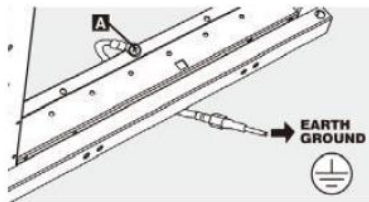
Step 2. Leveling

After locating the enclosure in right place, use the leveling feet on 4 corners to level the unit on the floor. Make sure the enclosure is leveled before attempting to install equipment.



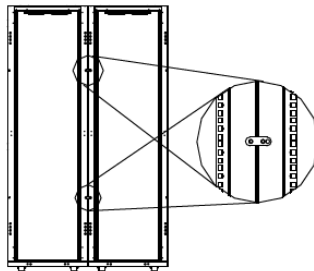
Step 3. Grounding Connection

Make sure all the parts of the enclosure are properly bonded and grounded to the frame, then connect to one of the designated grounding locations (two M6 threaded inserts on front/rear door frame) directly to your facility's earth ground connection with 8AWG wire. Do not use the enclosure without a proper earth ground connection.



Step 4. Alignment

Align the enclosures and join them using one M5 flat-head screw (pre-installed on the door frame) per bracket-two brackets for the front and two brackets for the rear.



Step 5. Equipment installation

Do not install any equipment until the unit is stabilized. Install the heavier equipment first and towards the bottom.

Note: The square holes at the middle of each U-shaped vertical rail are numbered and also include a small notch to aid identification. When installing equipment, use cage nut to secure your equipment to the U-shaped vertical rail.

WARRANTY

2-Year Limited Warranty. Seller warrants this product, if used in accordance with all applicable instructions, to be free from original defects in material and workmanship for a period of 2 years from the date of initial purchase. If the product should prove defective in material or workmanship within that period, Seller will repair or replace the product, at its sole discretion.

THIS WARRANTY DOES NOT APPLY TO NORMAL WEAR OR TO DAMAGE RESULTING FROM ACCIDENT, MISUSE, ABUSE OR NEGLIGENCE. SELLER MAKES NO EXPRESS WARRANTIES OTHER THAN THE WARRANTY EXPRESSLY SET FORTH HEREIN.

WARNING: The individual user should take care to determine prior to use whether this device is suitable, adequate or safe for the use intended. Since individual applications are subject to great variation, the manufacturer makes no representation or warranty as to the suitability or fitness of these devices for any specific application.

If you have questions about this product or need technical support, please contact us or visit our website.

ArcTiv Technologies, LLC
30 N Gould St Ste 22117, Sheridan, WY 82801
sales@arctiv-tech.com
www.arctiv-tech.com



Latest Revision: June, 2021