



USER MANUAL

Aisle Containment



Aisle Containment

TABLE OF CONTENTS

PRODUCT OVERVIEW	2
SAFETY INSTRUCTIONS	3
SYSTEM INSTALLATION	4
WARRANTY	13

PRODUCT OVERVIEW

The ArcTiv Aisle Containment System offers a low-cost, modular design, compatible with Server Racks for greater flexibility and compatibility while minimizing overall data center costs by managing and containing airflow inside the data room.

Product Highlights



Automatic Sliding Doors with Beautiful, Tempered Glass and Fully Locked Functions



Telescopic Roofs for Hot-Air Return



System Controller for Automatic Operation



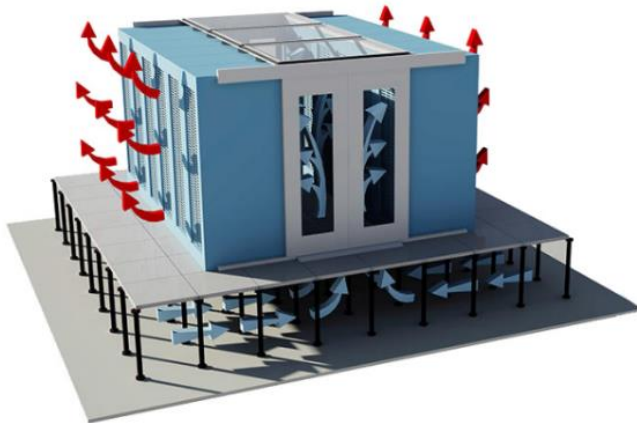
Top Panels with Automatic Release



Modular, Sealed Rack & Panel Components

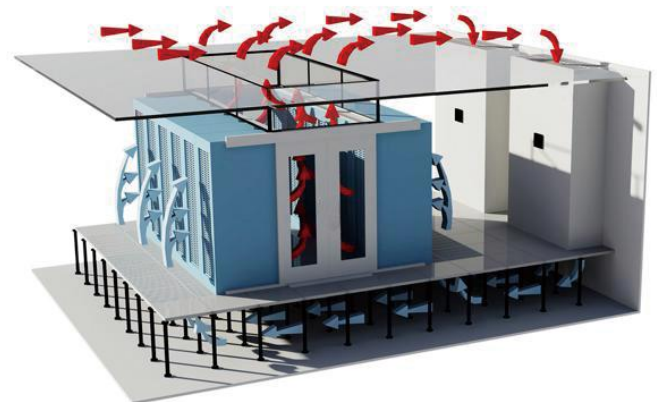
Increase Data Center Cooling Efficiency

Data centers can use raised floors and containment solutions to isolate and recirculate hot & cold air.



Cold-Aisle Containment

- Supports centralized, underfloor or in-row cooling
- Automated top panels sync to fire suppression
- Optional rack mounted telescopic chimneys



Hot-Aisle Containment


- Supports centralized, underfloor cooling systems
- Hot-air aisle recirculation
- Hot-aisle chimney

SAFETY INSTRUCTIONS

- Keep the aisle containment system in a controlled indoor environment, away from moisture, temperature extremes, flammable liquids and gasses, conductive contaminants, dust and direct sunlight.
- Leave adequate space at the front and rear of the racks for proper ventilation. Do not block, cover or insert objects into the external ventilation openings of the enclosure.
- The aisle containment system is extremely heavy, use caution when handling. Do not attempt to unpack, move or install it unassisted. Use a mechanical device such as a forklift or pallet jack to move the system in the shipping container.
- Do not place any object on the enclosures, especially containers of liquid, and do not attempt to stack the enclosures.
- Inspect the shipping container and the enclosure for shipping damage. Do not use the system if it is damaged.
- Leave the system in the shipping container until it has been moved as close to the final installation location as possible.
- Install the enclosures and containment system in a structurally sound area capable of handling the load, or on a level floor that is able to bear the weight of the enclosure, all equipment that will be installed in the enclosure and any other enclosures and/or equipment that will be installed nearby.
- Use caution when cutting packing materials. The enclosure could be scratched, causing damage not covered by the warranty.
- Save all packing materials for later use. Repacking and shipping the enclosures and containment system without the original packing materials may cause product damage that will void the warranty.
- Do not reship the enclosures and containment with additional equipment. The combined weight of the enclosure and installed equipment must not exceed the load capacity of the pallet. ArcTiv Technologies is not responsible for any damage that occurs during reshipment.
- The enclosure casters are designed for minor position adjustments within the final installation area only. The casters are not designed for moving the enclosure over longer distances.
- When rolling the enclosure on its casters, always push it from behind; never pull it toward you.
- A rolling enclosure can cause personal injury and property damage if not properly supervised. If rolling the enclosure down a ramp is required, use extreme caution. Do not attempt to use ramps that have a slope steeper than 1:12.
- Use of this equipment in life support applications where failure of this equipment can reasonably be expected to cause the failure of the life support equipment or to significantly affect its safety or effectiveness is not recommended. Do not use this equipment in the presence of a flammable anesthetic mixture with air, oxygen or nitrous oxide.

SYSTEM INSTALLATION

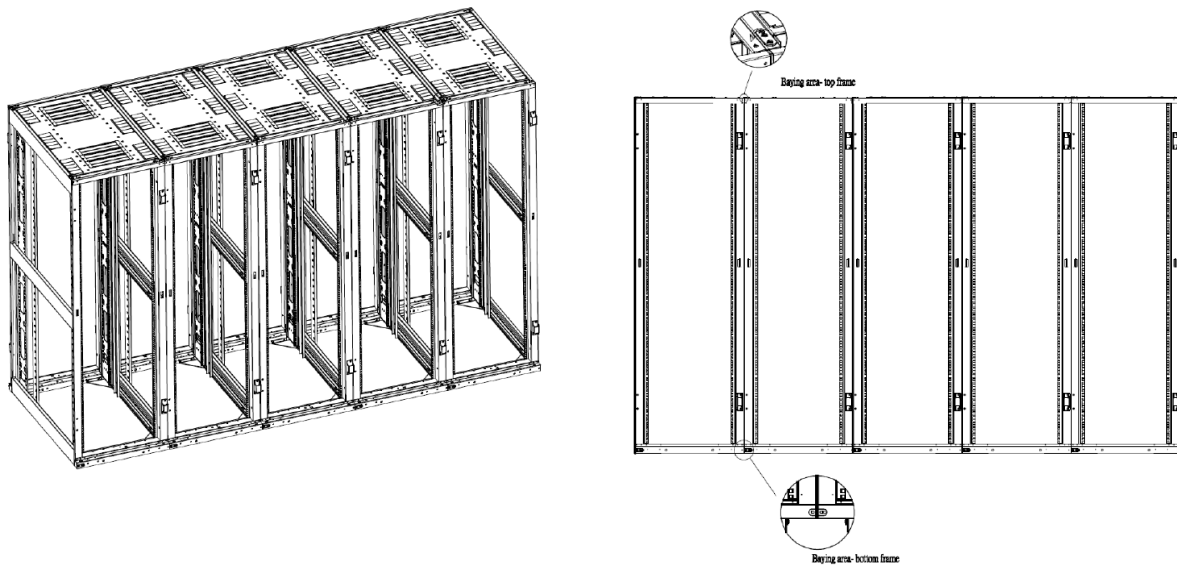
Step 1. Unpacking

Caution – Use at least 2 people to remove the cabinet from the pallet or carton 

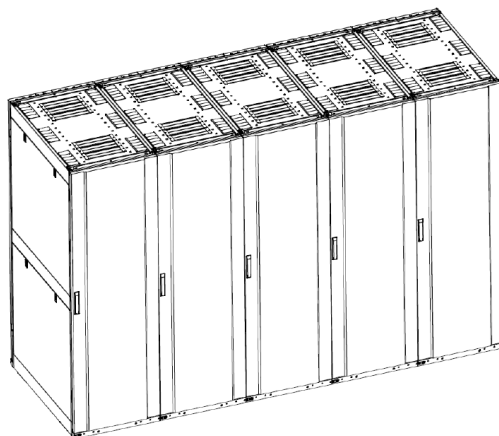
1. Move shipping pallet to a firm, level surface.
2. Save all packing materials for later use. Packing materials are recyclable.
3. With one person on each side, carefully lift the enclosure off of the pallet and place on a firm, level surface.
4. Examine the enclosure for any damage or loose parts. Confirm all parts are present. If anything is missing or damaged, contact ArcTiv for assistance. Do not attempt to use the enclosure if it has been damaged.

Step 2. Baying the Enclosures

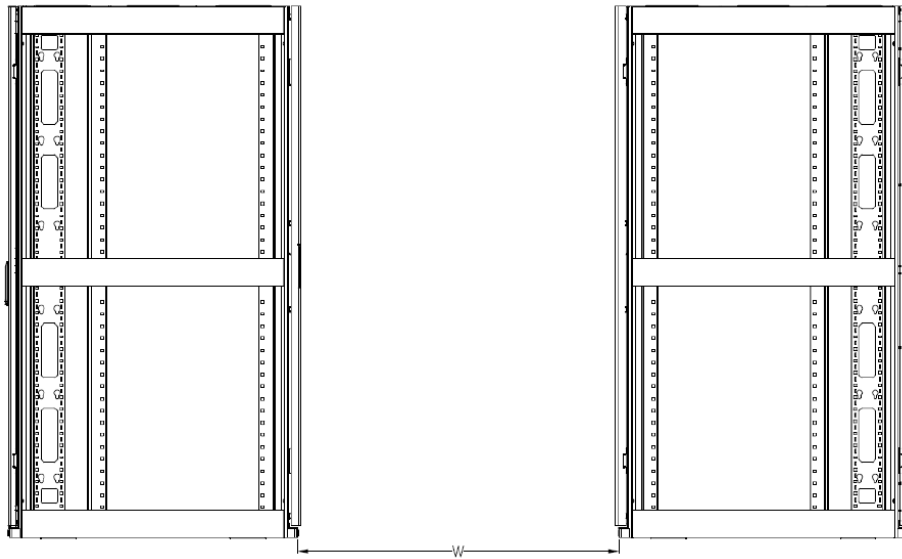
Place the enclosures in a row and connect using M5 screws as shown below.



After baying the racks in a row, install the front & rear doors and install the side panels at the row ends.

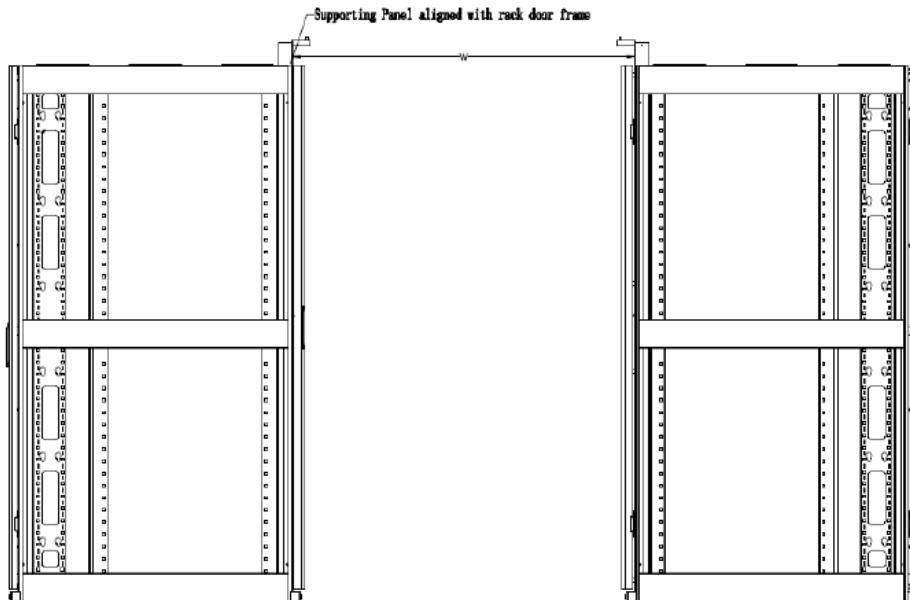


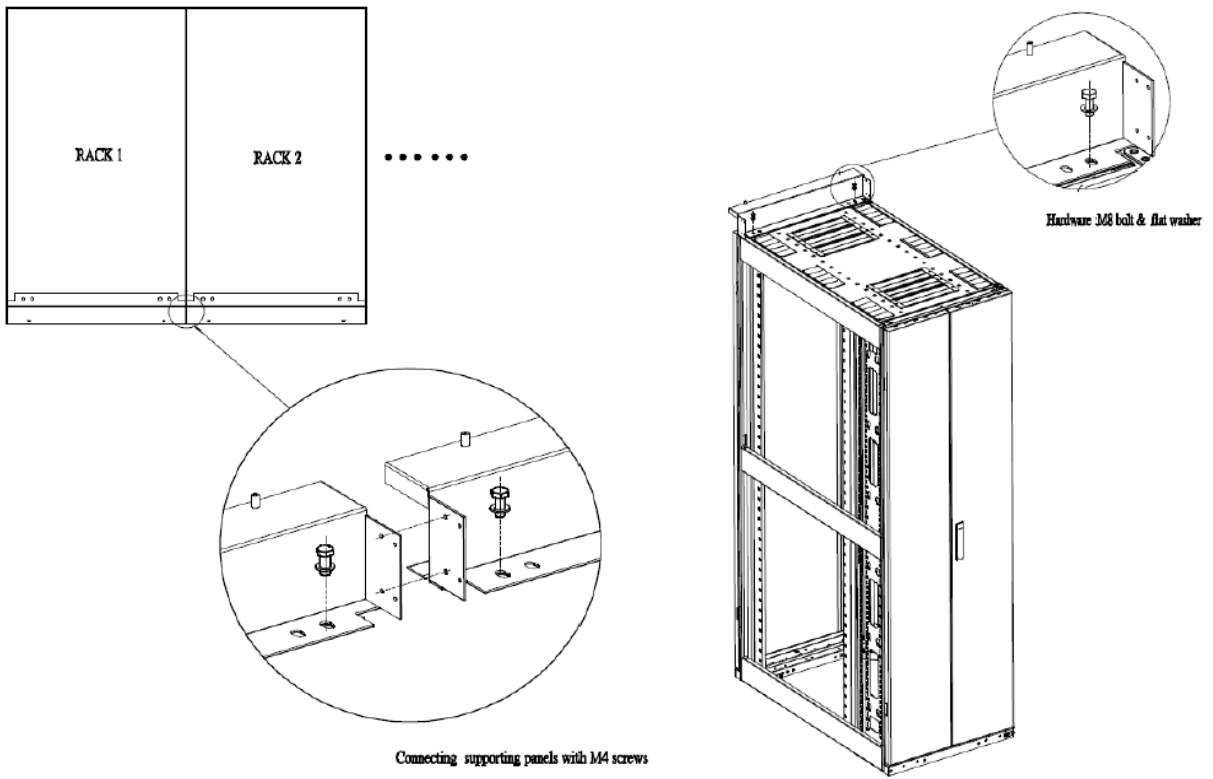
Place 2 rows in a line face to face (cold aisle: Front door to front door; hot aisle, rear door to rear door). Default aisle width “W” is 1200mmW.



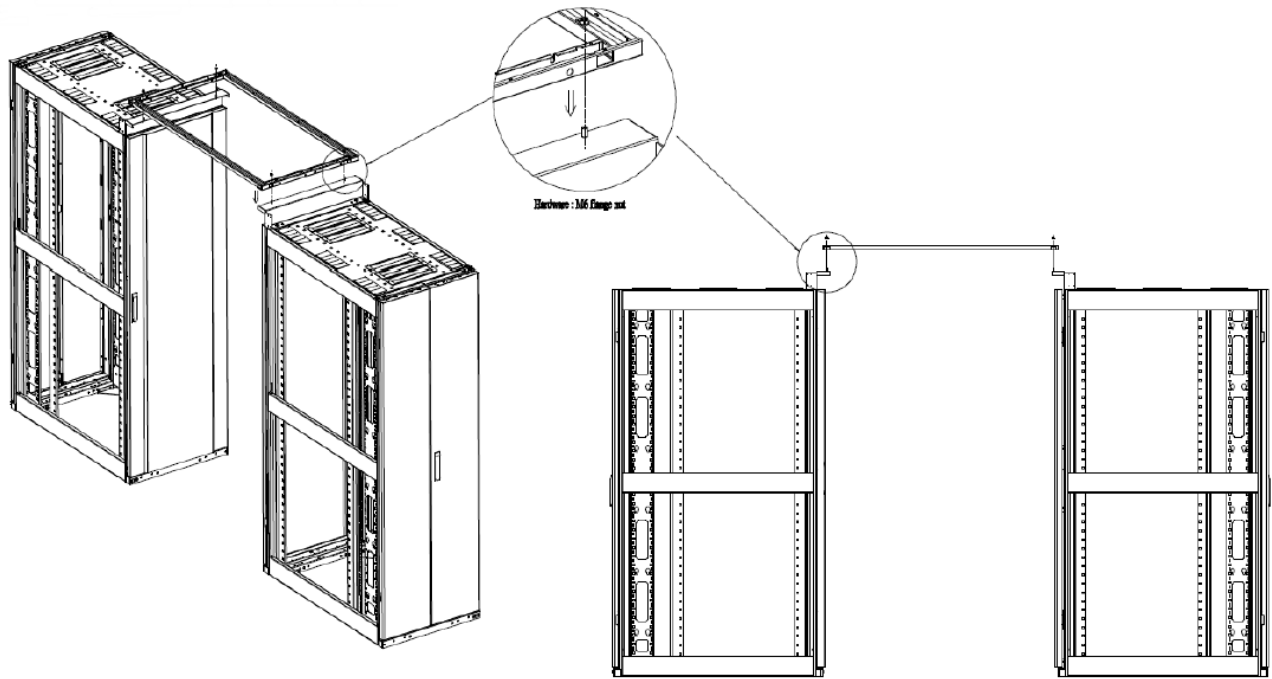
Step 3. Install Top Roof System

Install top roof supporting panel on each enclosure as shown below.

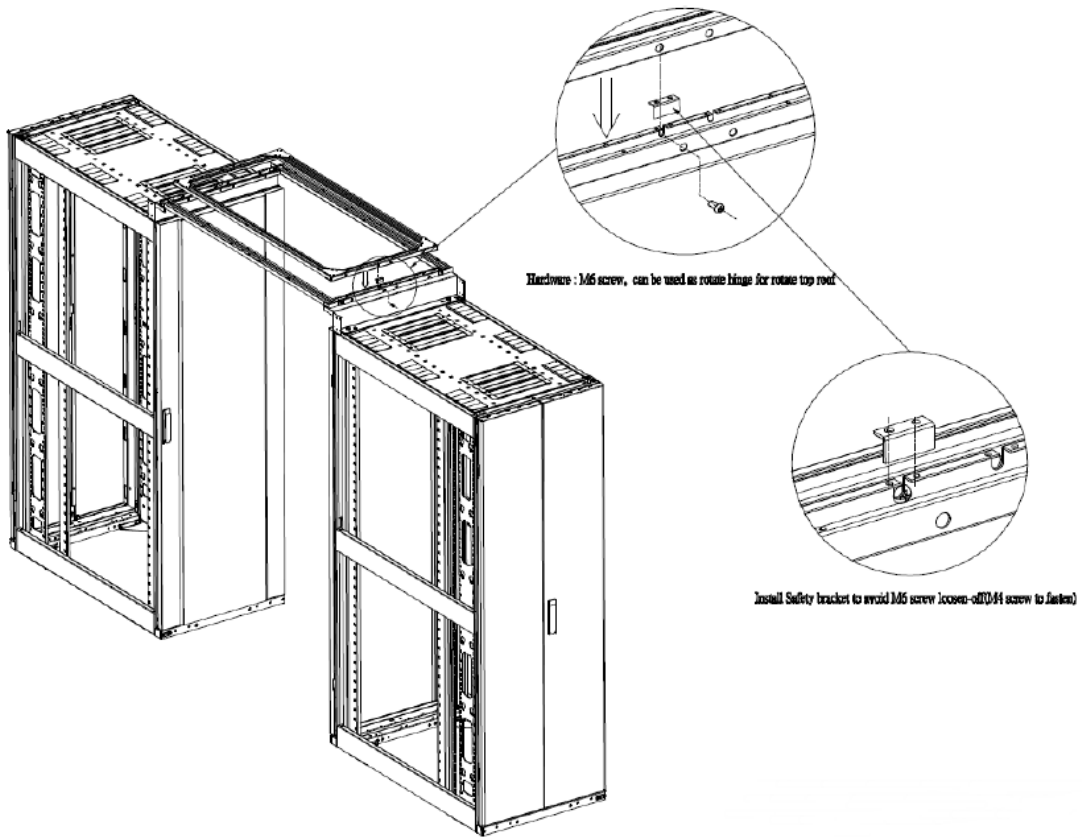




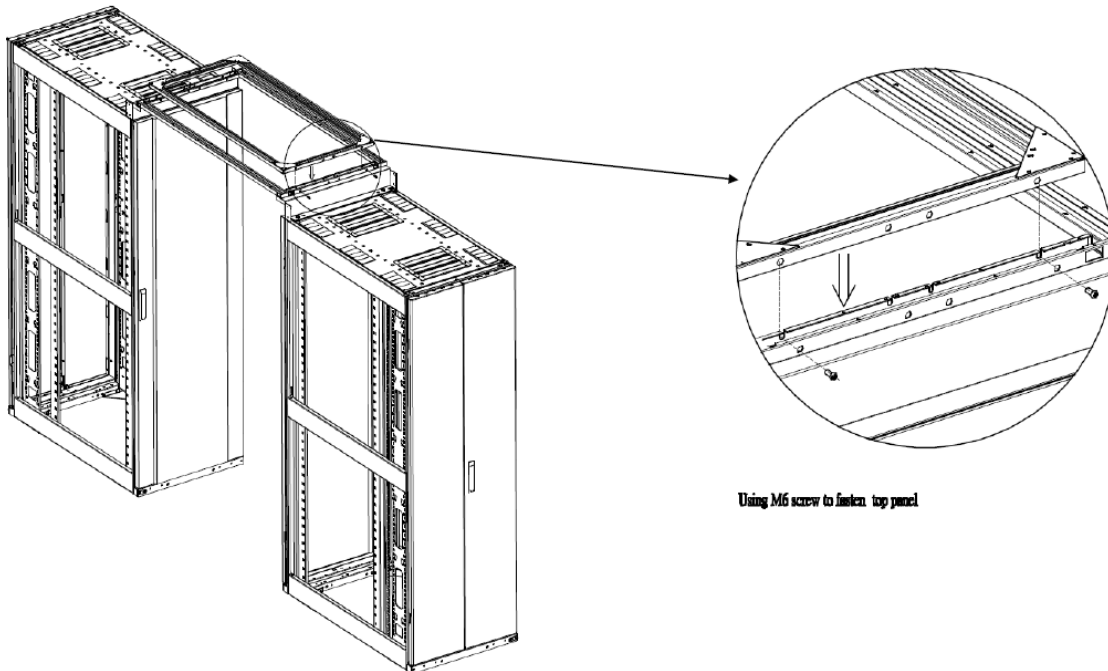
Install top roof on supporting panels



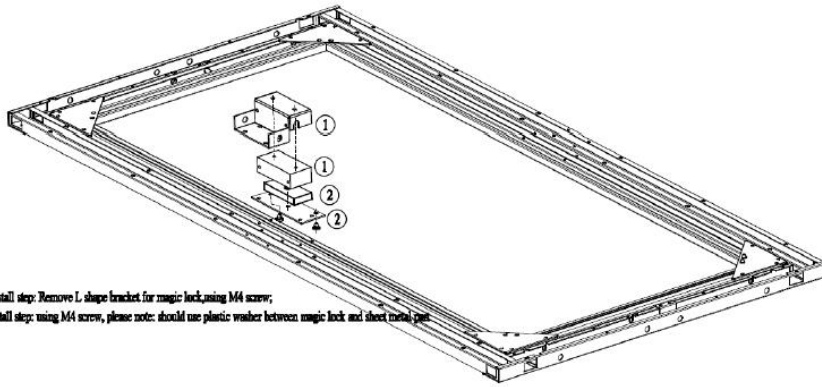
Install rotating top roof



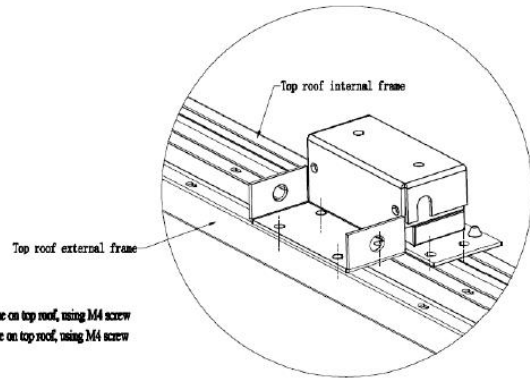
Install fixed top roof



Install mechanical lock on rotating top roof

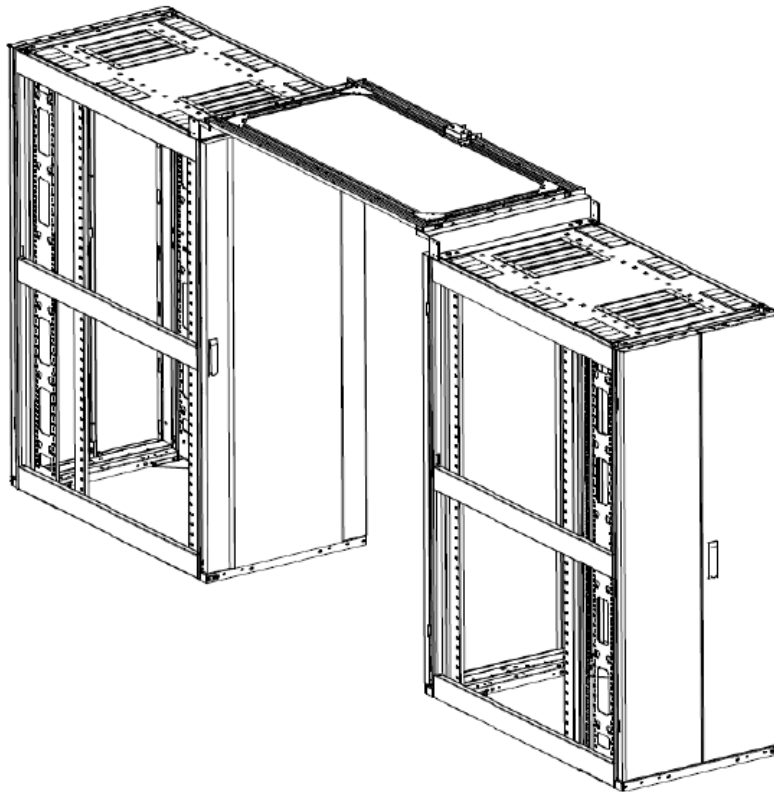


- ①+① install step: Remove L shape bracket for magic lock, using M4 screw;
- ②+② install step: using M4 screw, please note: should use plastic washer between magic lock and sheet metal part

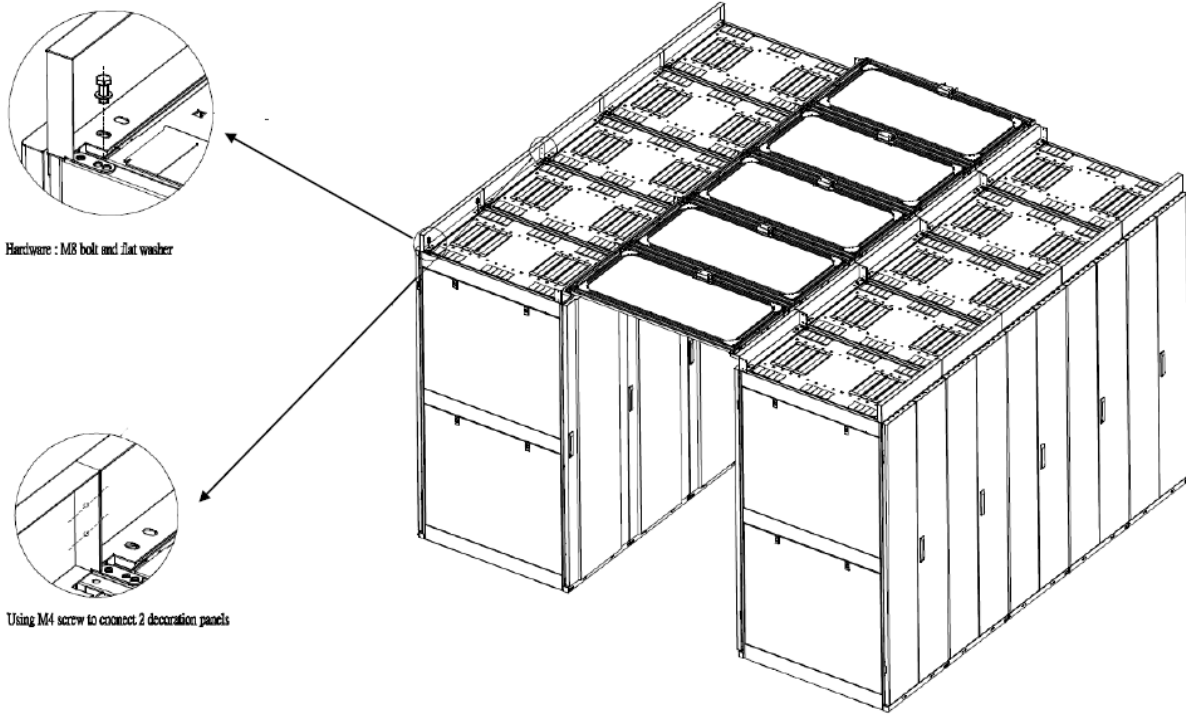


- ①+① install to external frame on top roof, using M4 screw
- ②+② install to internal frame on top roof, using M4 screw

Completed installation of top panel assembly.

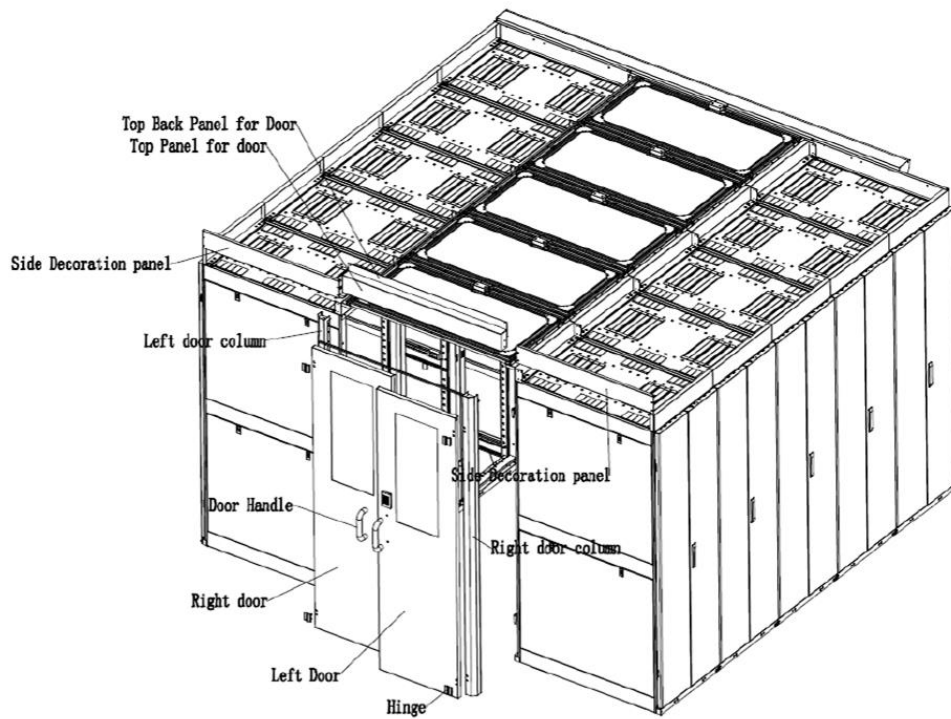


Install outer decoration panels.

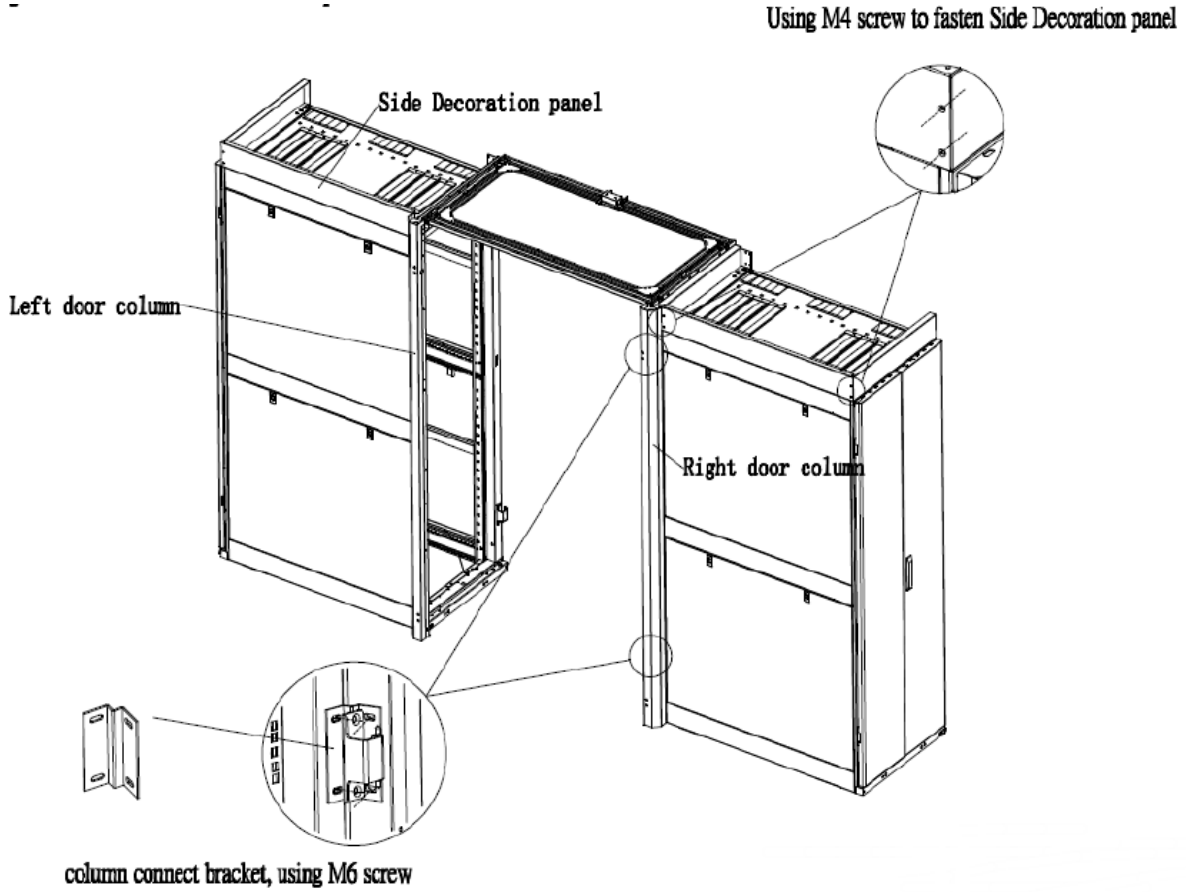


Step 4. Install dual mechanical doors

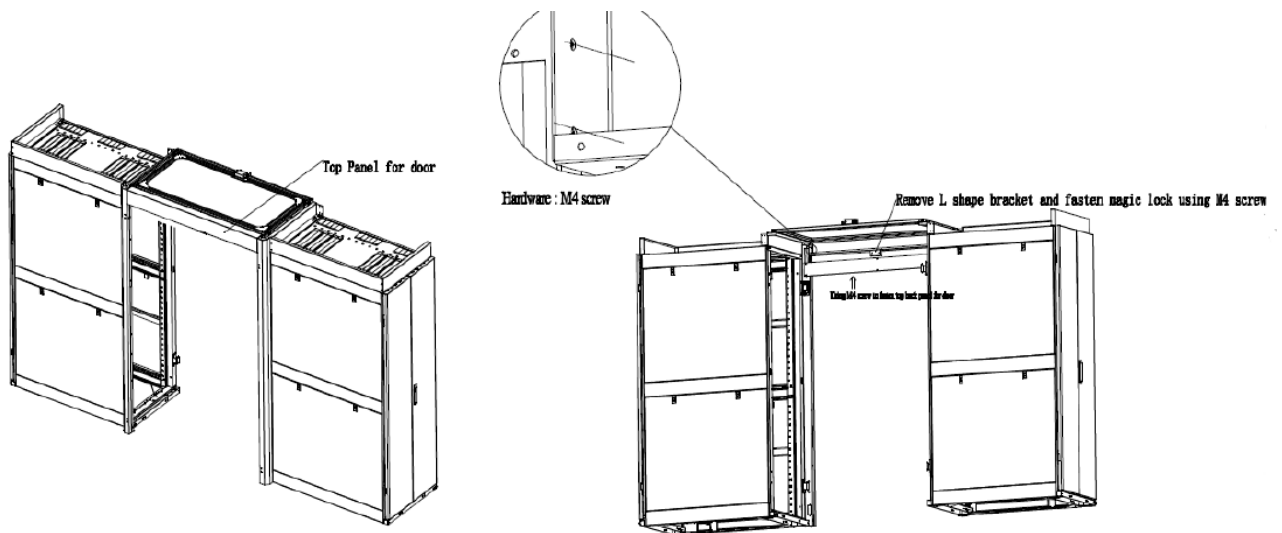
Mechanical door assembly kit.



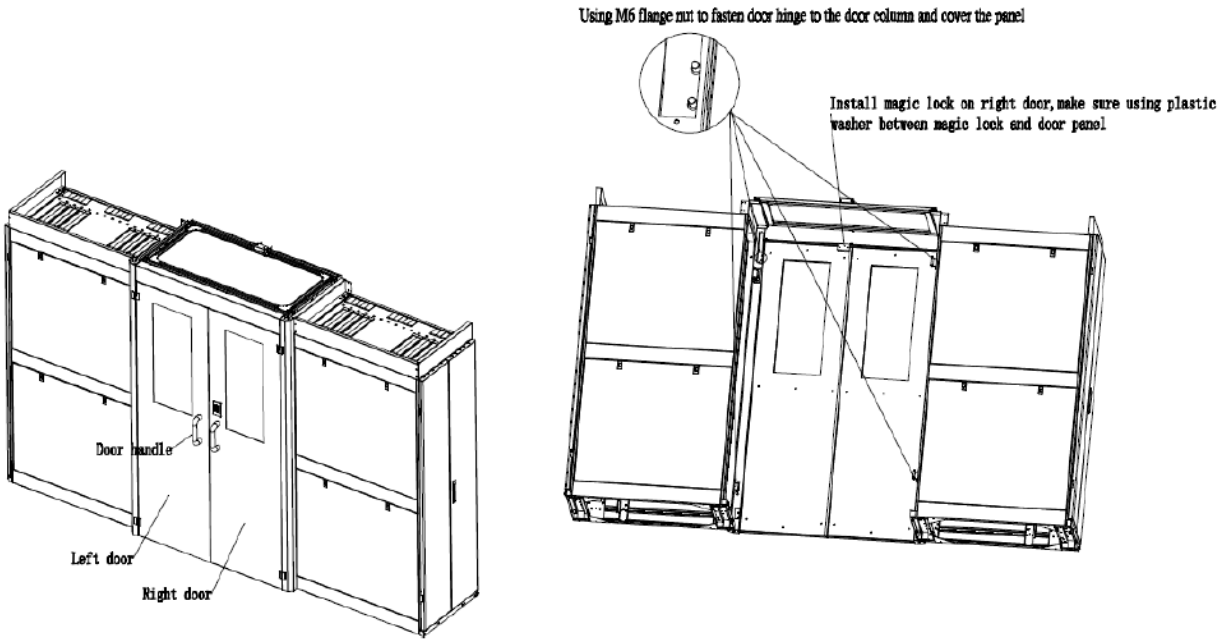
Install left & right door column and side decoration panels.



Install top panel for door, lock and top rear panel.

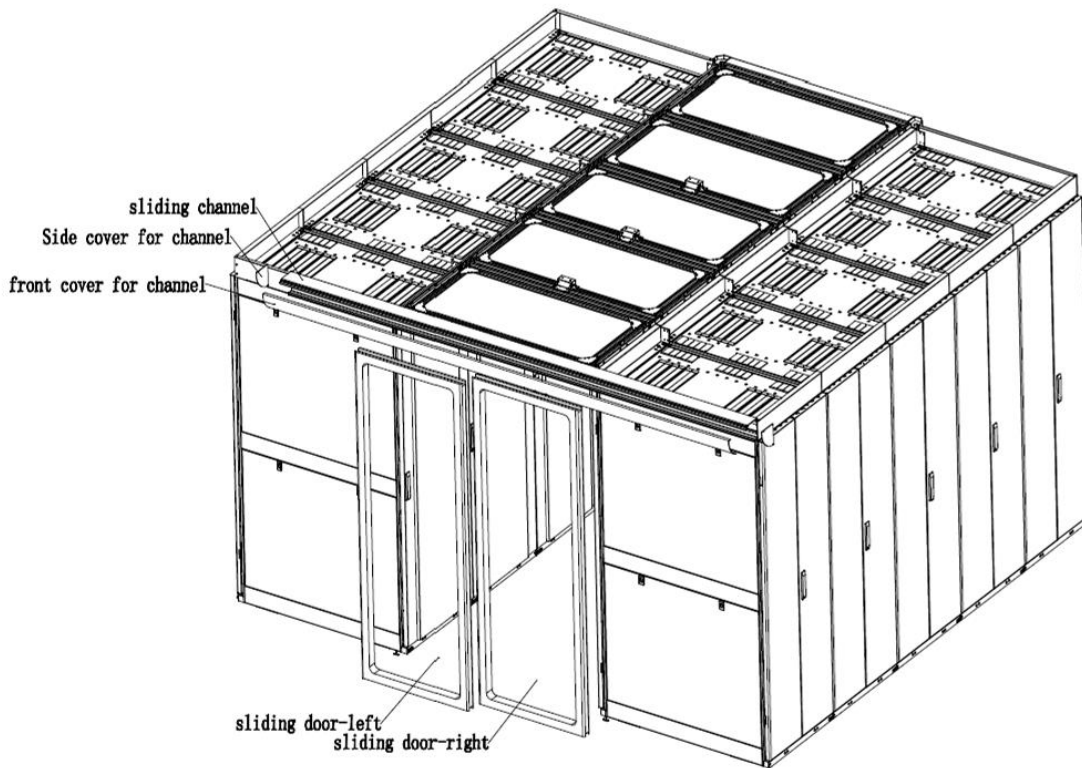


Install left & right door.

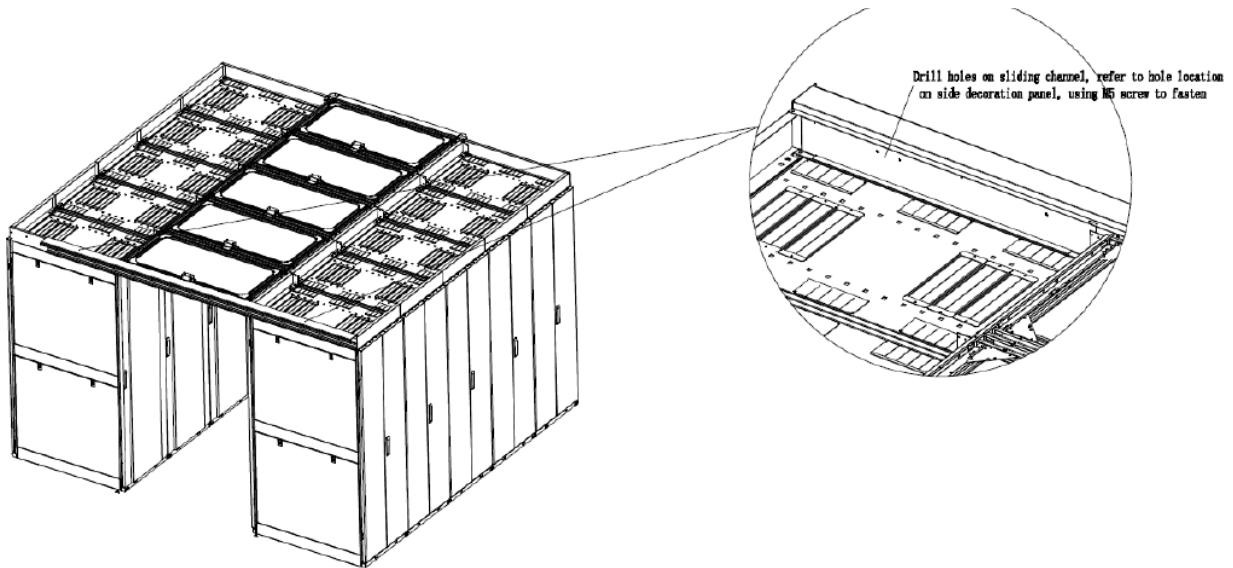


Install Dual Sliding Doors

Dual sliding door assembly kit



Install sliding channel



WARRANTY

1-Year Limited Warranty. Seller warrants this product, if used in accordance with all applicable instructions, to be free from original defects in material and workmanship for a period of 1 year from the date of initial purchase. If the product should prove defective in material or workmanship within that period, Seller will repair or replace the product, at its sole discretion.

THIS WARRANTY DOES NOT APPLY TO NORMAL WEAR OR TO DAMAGE RESULTING FROM ACCIDENT, MISUSE, ABUSE OR NEGLIGENCE. SELLER MAKES NO EXPRESS WARRANTIES OTHER THAN THE WARRANTY EXPRESSLY SET FORTH HEREIN.

WARNING: The individual user should take care to determine prior to use whether this device is suitable, adequate or safe for the use intended. Since individual applications are subject to great variation, the manufacturer makes no representation or warranty as to the suitability or fitness of these devices for any specific application.

If you have questions about this product or need technical support, please contact us or visit our website.

ArcTiv Technologies, LLC
 30 N Gould St Ste 22117, Sheridan, WY 82801
sales@arctiv-tech.com
www.arctiv-tech.com



Copyright © 2021 All Rights Reserved

Latest Revision: June, 2021